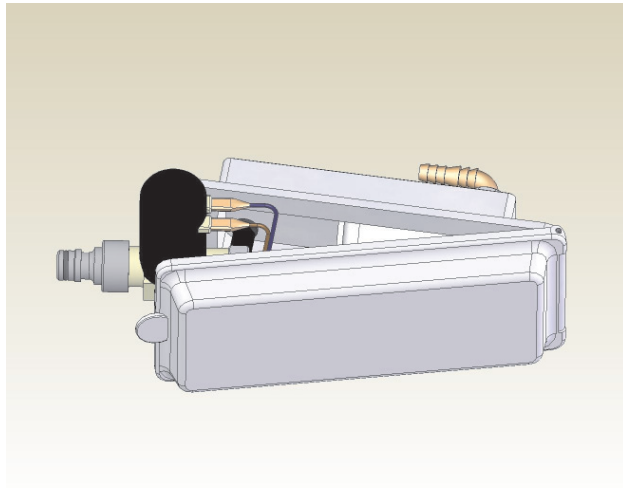


Operating instructions

Tap-water regulator COLORADO

with detachable magnetic valve



These operating instructions are part of this product. They contain important notes concerning the item's proper operating and handling. Therefore, it is requested to keep these operating instructions for later studies.

Use in accordance with the requirements

The tap-water regulator COLORADO is an external water supply that directly services your vehicle's water system. Tanks or cans are bypassed by a check valve. The integrated regulator with check valve is suitable for an incoming pressure up to 12bar and is - depending on the respective model - reducing it down to an outgoing pressure of 0.7bar resp. 1.4bar. The pressure in closed condition is 1.1 resp. 2bar.

The tap-water regulator COLORADO is situated in a coloured, UV-resistant ABS-case closed by a lid if not in use.

Safety advices



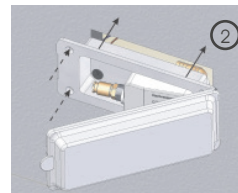
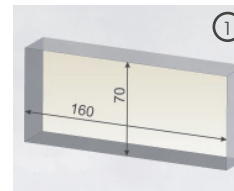
Your guarantee expires in case of damages, caused by not following these instructions.

We do not accept liability for consecutive damages. We do not accept liability for damages or property or injuries to persons caused by improper handling or by not following these safety advices.

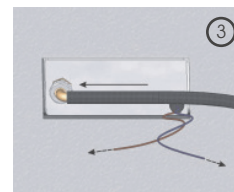
For safety reasons, unauthorized modifications and/or changes concerning the water regulator are not allowed.

Installation

①+② Prepare a gap of 160x70mm as per drawing at the place where the installation is to be effected. Then, put in the case and set marks for the installation drillings. Now, slip on the water pipe to the spout and secure it with suitable clamps or clips.



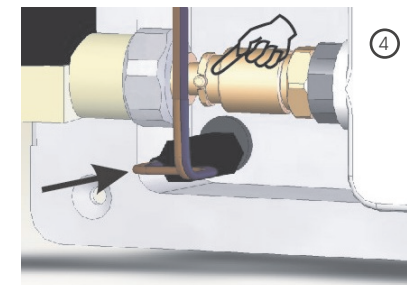
③ After the installation of the case, you prepare the connection to the water-system. Remove the conducting from the nozzle and attach it with respective clamps or clips.



Afterwards, connect both cables with the 12V-DC system. Connect the cables appropriate to the system, so that the magnetic valve opened when you take out water. The polarity of the connection doesn't matter.

Use

④ Plug the 12V-plug into its respective socket. Then, move the magnetic valve into the coupling engaging it with an audible and perceptible "click". Pay attention to the correct position of the dowel pin.

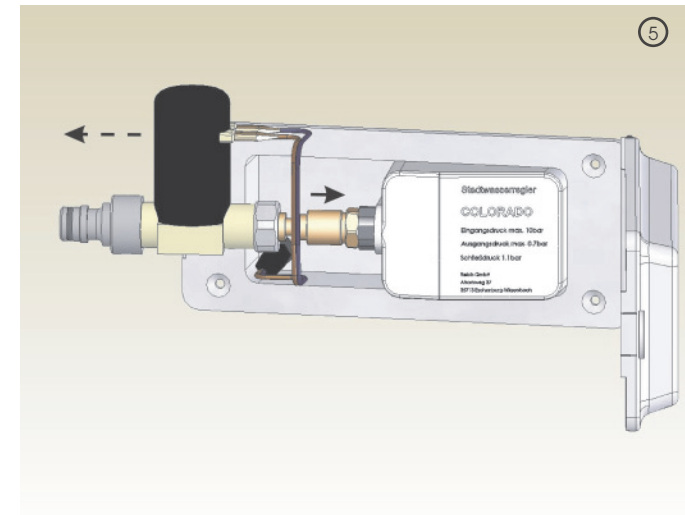


The tap-water regulator COLORADO is now ready for use and can now be attached to the supply net.

Maintenance and cleaning

⑤ If you do not use the tap-water regulator COLORADO, you have to remove the magnetic valve and keep it from frost. Therefore, unplug the 12V-plug from the socket and push back the knurled nut to the limit position. Then remove the magnetic valve from the coupling.

Protect the complete water-system from frost. Please do pay your utmost attention to the fact that the system should be completely empty of water.



Technical data

Operating voltage:	12V-DC
Incoming pressure:	12bar max.
Outgoing pressure:	0.7 resp. 1.4bar
Pressure in closed condition:	1.1 resp. 2.0bar

modifications and errors excepted